



### 5GBase-T Lan Magnetics

JASN is a leading China 5GBase-T Lan Magnetics manufacturer, supplier and exporter. The PN Y24C53SP designed to meet IEEE 802.3bt standard and it is suitable for PoE application.

Model:Y24C53SP

JASN is a professional China 5GBase-T Lan Magnetics manufacturer and supplier, if you are looking for the best 5GBase-T Lan Magnetics with low price, consult us now!

### Feature

Comply with IEEE802.3bz&at.

Comply with RoHS requirements.

Suitable for End-span PoE applications with 720mA current capability

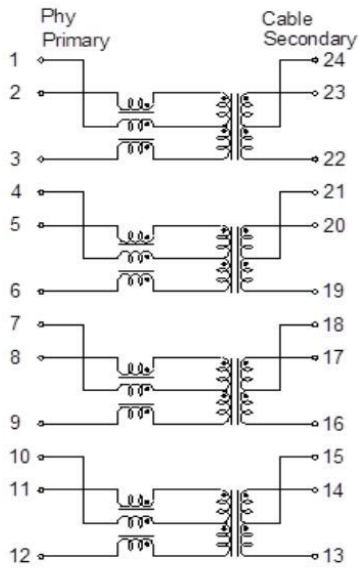
Operating temperature range: 0 to °C 70°C.

Storage temperature range: -25 to °C 105°C

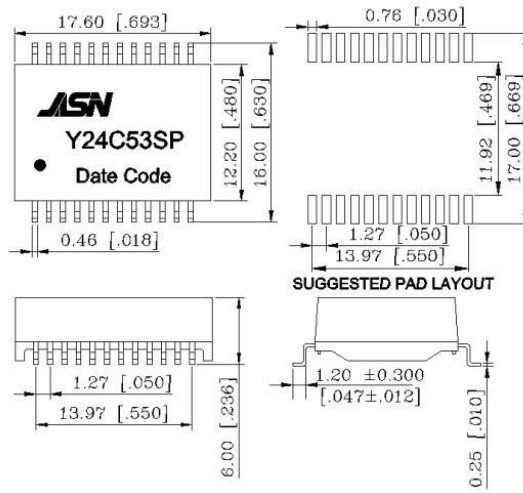
### Electrical Specifications @ 25°C

|                 |  |
|-----------------|--|
| OCL:            | 180uH Min. @100KHz/0.1V with 8mA DC Bias |
| Hi-Pot :        | 1500Vrms                                 |
| Turns Ratio:    | 1CT:1CT±3%                               |
| D.C.R:          | 1.0 ohm Max                              |
| Insertion Loss: | -1.0dB Max @1-100MHz                     |
|                 | -2.0dB Max @100-250MHz                   |
| Return Loss:    | -16dB Min @1-40MHz                       |
|                 | -16+10log(f/40)dB Min @40-250MHz         |
| Cross Talk :    | -30dB Min@ 1-125MHz                      |
|                 | -25dB Min@ 125-250MHz                    |
| CMRR:           | -30dB Min@ 1-125MHz                      |
|                 | -25dB Min@ 125-250MHz                    |

Schematic



Mechanical



1. Unless otherwise specified, all tolerances are  $\pm 0.25[01]$
2. Coplanarity:  $0.1[004]$
3. Unit mm[inch]